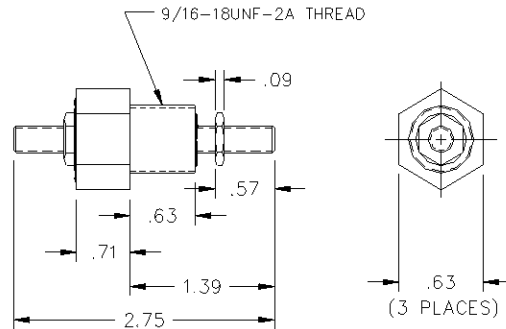


High Current Mini Feedthru Capacitor

JAM NUT
8-32UNC-2A
DC - 400 Hz



Mounting & Termination Hardware Included

Captor High Current Mini Feedthru Capacitors are designed to comply with the applicable requirements of MIL-PRF-15733H.

MECHANICAL:

1) Case Material	Brass
2) Threaded Terminal Material	Brass
3) Finish (Case and Terminals)	Electro Tin-Lead Reflow
4) Line Terminations	8-32UNC-2A Threaded Terminal
5) Load Terminations	8-32UNC-2A Threaded Terminal
6) Weight	0.2 lbs.
7) Maximum Terminal Torque	14 lb•in

ELECTRICAL:

1) Rated AC Voltage	140 VAC
2) Rated DC Voltage	250 VDC
3) Rated Current	25 Amps
4) Frequency	DC - 400 Hz
5) DWV	600 VDC
6) Insulation Resistance @ 100 VDC	5000 Megohms min
7) Dissipation Factor @ 1 kHz	< 0.7%

ENVIRONMENTAL:

1) Operating Temperature Range	-55° C to +85° C
2) Storage Temperature Range	-55° C to +105° C

Capacitance Values Available:

Cap (uF)	Part No.	Cap (uF)	Part No.	Cap (uF)	Part No.	Cap (uF)	Part No.
0.009	FTM-9126	0.01	FTM-9127	0.012	FTM-9128	0.015	FTM-9129
0.018	FTM-9130	0.022	FTM-9131	0.027	FTM-9132	0.033	FTM-9133
0.039	FTM-9134	0.047	FTM-9135	0.056	FTM-9136	0.068	FTM-9137
0.082	FTM-9138	0.1	FTM-9139	0.12	FTM-9140		

Should you require additional information, please do not hesitate to contact us.