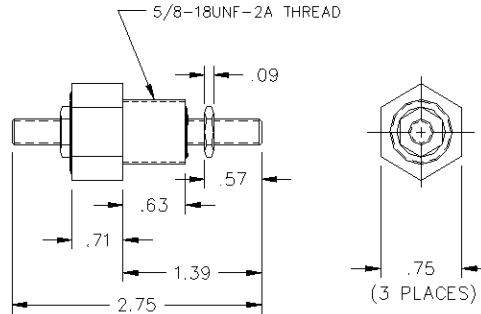


High Current Mini Feedthru Capacitor

JAM NUT
10-32UNF-2A
DC - 400 Hz



Mounting & Termination Hardware Included

Captor High Current Mini Feedthru Capacitors are designed to comply with the applicable requirements of MIL-PRF-15733H.

MECHANICAL:

- | | |
|--------------------------------|-------------------------------|
| 1) Case Material | Brass |
| 2) Threaded Terminal Material | Brass |
| 3) Finish (Case and Terminals) | Electro Tin-Lead Reflow |
| 4) Line Terminations | 10-32UNF-2A Threaded Terminal |
| 5) Load Terminations | 10-32UNF-2A Threaded Terminal |
| 6) Weight | 0.2 lbs. |
| 7) Maximum Terminal Torque | 18 lb•in |

ELECTRICAL:

- | | |
|------------------------------------|------------------|
| 1) Rated AC Voltage | 140 VAC |
| 2) Rated DC Voltage | 250 VDC |
| 3) Rated Current | 35 Amps |
| 4) Frequency | DC - 400 Hz |
| 5) DWV | 600 VDC |
| 6) Insulation Resistance @ 100 VDC | 5000 Megohms min |
| 7) Dissipation Factor @ 1 kHz | < 0.7% |

ENVIRONMENTAL:

- | | |
|--------------------------------|-------------------|
| 1) Operating Temperature Range | -55° C to +85° C |
| 2) Storage Temperature Range | -55° C to +105° C |

Capacitance Values Available:

Cap (uF)	Part No.	Cap (uF)	Part No.	Cap (uF)	Part No.	Cap (uF)	Part No.
0.0082	FTM-9141	0.01	FTM-9142	0.012	FTM-9143	0.015	FTM-9144
0.018	FTM-9145	0.022	FTM-9146	0.027	FTM-9147	0.033	FTM-9148
0.039	FTM-9149	0.047	FTM-9150	0.056	FTM-9151	0.068	FTM-9152
0.082	FTM-9153	0.10	FTM-9154	0.12	FTM-9156	0.15	FTM-9157
0.18	FTM-9158						

Should you require additional information, please do not hesitate to contact us.