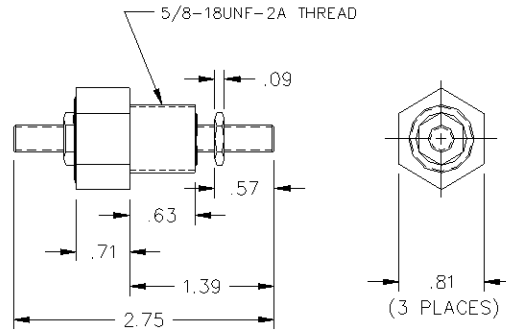


High Current Mini Feedthru Capacitor

JAM NUT
1/4-20UNC-2A
DC - 400 Hz



Mounting & Termination Hardware Included

Captor High Current Mini Feedthru Capacitors are designed to comply with the applicable requirements of MIL-PRF-15733H.

MECHANICAL:

1) Case Material	Brass
2) Threaded Terminal Material	Brass
3) Finish (Case and Terminals)	Electro Tin-Lead Reflow
4) Line Terminations	1/4-20UNC-2A Threaded Terminal
5) Load Terminations	1/4-20UNC-2A Threaded Terminal
6) Weight	0.2 lbs.
7) Maximum Terminal Torque	30 lb•in

ELECTRICAL:

1) Rated AC Voltage	140 VAC
2) Rated DC Voltage	250 VDC
3) Rated Current	65 Amps
4) Frequency	DC - 400 Hz
5) DWV	600 VDC
6) Insulation Resistance @ 100 VDC	5000 Megohms min
7) Dissipation Factor @ 1 kHz	< 0.7%

ENVIRONMENTAL:

1) Operating Temperature Range	-55° C to +85° C
2) Storage Temperature Range	-55° C to +105° C

Capacitance Values Available:

Cap (uF)	Part No.	Cap (uF)	Part No.	Cap (uF)	Part No.	Cap (uF)	Part No.
0.0082	FTM-9159	0.01	FTM-9160	0.012	FTM-9161	0.015	FTM-9162
0.018	FTM-9163	0.022	FTM-9164	0.027	FTM-9165	0.033	FTM-9166
0.039	FTM-9167	0.047	FTM-9168	0.056	FTM-9169	0.068	FTM-9170
0.082	FTM-9171	0.10	FTM-9172	0.12	FTM-9173	0.15	FTM-9174
0.18	FTM-9175	0.22	FTM-9176				

Should you require additional information, please do not hesitate to contact us.