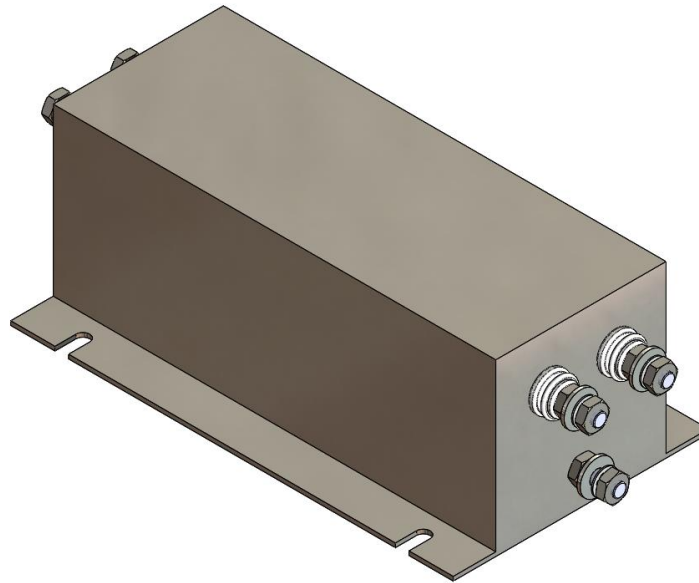


## COTS MIL-STD-461 Single Phase EMI Filter



Captor Corporation is pleased to introduce a new series of COTS DC and AC single and three phase (Delta and Wye) power line filters for MIL-STD-461 Applications. The COTS Filters are designed to mitigate conducted emissions as specified in the MIL-STD-461 CE102 requirement from 10KHZ to 10MHz. Feed- Through (line to ground) capacitors are incorporated in the filter assemblies to maintain filter attenuation up to 1GHZ and above when installed with additional shielding to isolate input and output compartments.

These filters comply with the electrical requirements and meet the maximum capacitance to ground limits for 60Hz and 400Hz power line frequencies per MIL-STD-461 for Navy applications. The filter mechanical constructions and encapsulated assemblies will withstand the stringent environmental requirements and conditions of all air, sea and ground applications. COTS filter assemblies can also be supplied with Metal

Oxide Varistors, circuit breakers and military connectors for I/O connections upon request to comply with system level requirements.

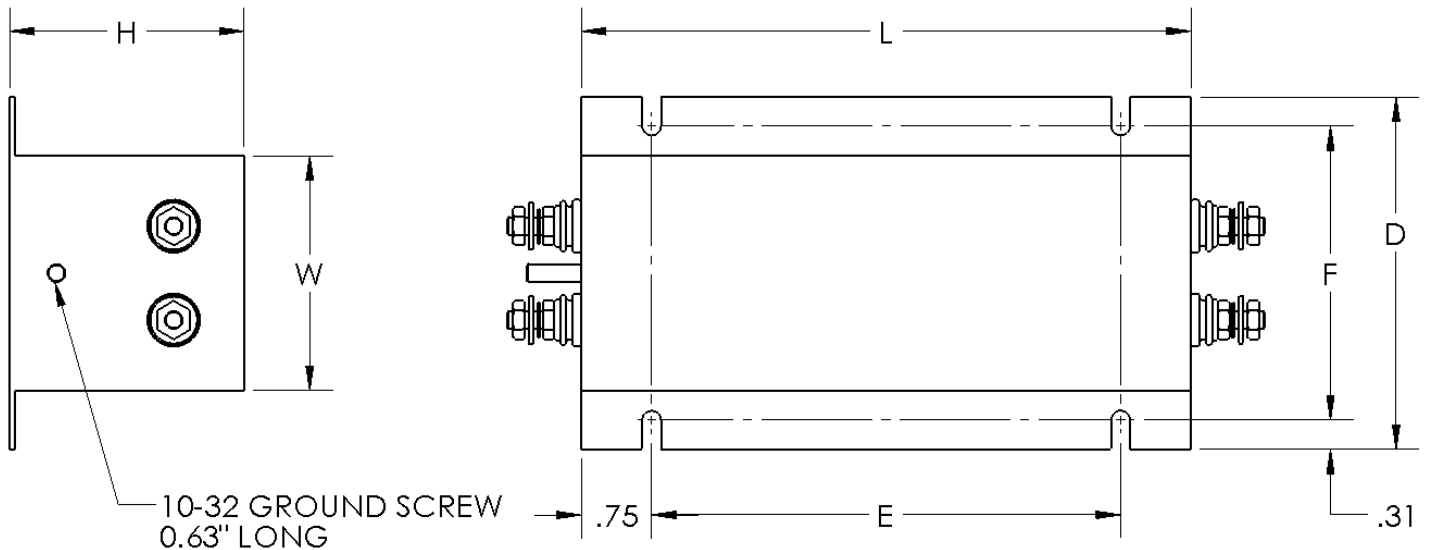
### EMI FILTERS

Captor Offers:

- Extensive EMI/HEMP filter design, development and manufacturing
- Terminated cable assemblies for MIL applications
- Power line filters that comply with all applicable military/industrial/commercial standards
- Technical support during initial product design and development
- In house environmental test capabilities

Captor is:

- AS9100D including ISO 9000:2015 certified.
- Certified to IPC 610, IPC-620 and J-STD-001



**Single Phase**

Filter P/N	250 VAC, 50-400 Hz, 600 VDC								
	Size (in)							Current	TERMINALS
	L	W	H	D	E	F			
A-10900-05	6.50	2.50	2.50	3.75	5.00	3.13	5 amps	10-32	
A-10900-15	6.50	2.50	2.50	3.75	5.00	3.13	15 amps	10-32	
A-10900-30	7.00	3.00	2.75	4.25	5.50	3.63	30 amps	10-32	
A-10900-50	7.00	3.00	2.75	4.25	5.50	3.63	50 amps	1/4-20	

For 400 Hz add an A to the end of the P/N

**Typical Attenuation 0-60 Hz Application: Per MIL-STD-220, 50 Ω System**

Freq (MHz)	0.01	0.05	0.1	0.5	1	10
CM (dB)	-	25	32	58	70	80
DM (dB)	15	30	39	53	60	80

**Typical Attenuation 400 Hz Application: Per MIL-STD-220, 50 Ω System**

Freq (MHz)	0.01	0.05	0.1	0.5	1	10
CM (dB)	-	15	23	46	54	80
DM (dB)	15	30	46	53	60	80